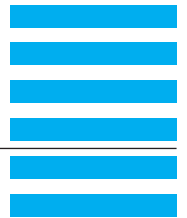
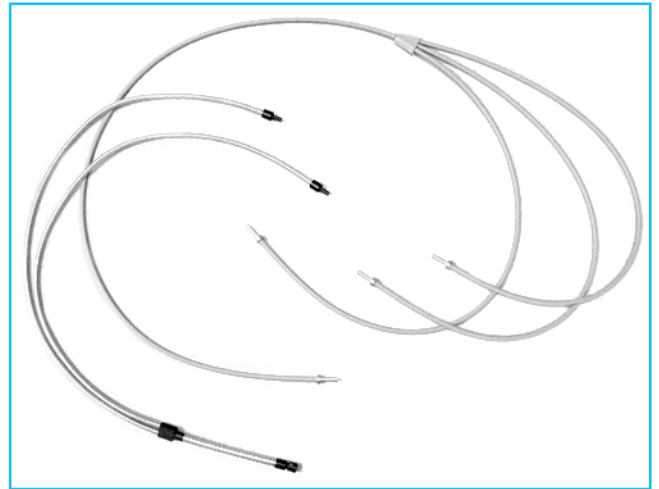


Multi-branch Fiber Bundles



- Customized multi-branch bundles for individual applications
- large diameters
- UV – NIR

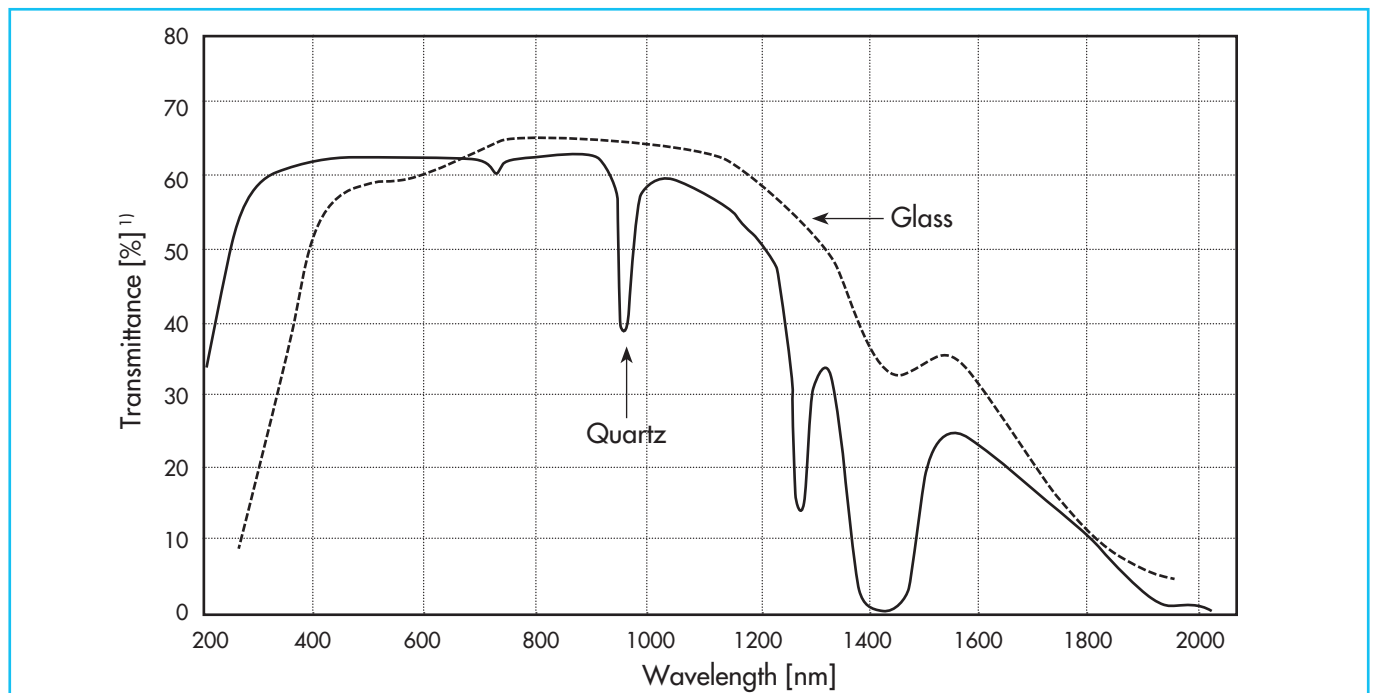
Multi-branch fiber bundles are versatile. These offer a simple way to combine or split beams. They are used to carry light from one source to various samples simultaneously. Or they are used to collect light from various sources and carry it to one sample. The use of optical filters creates different outputs from one source. One branch can be used as a reference, the other(s) as a source, they are optically coupled to the same area.



Construction

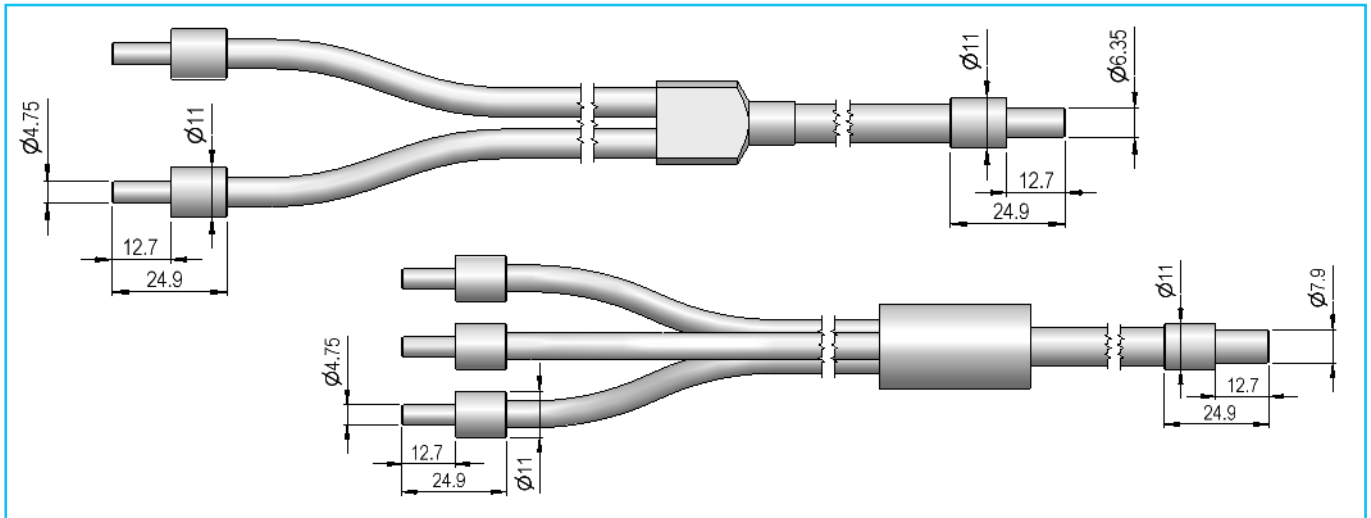
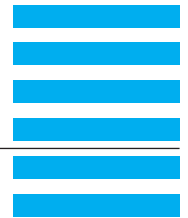
We offer fiber bundles made of glass or UV quartz fibers. They are carefully randomised to produce uniform, evenly divided output beams.

Depending on the application we offer different number of branches with different splitting and branch diameters. Our standard bundles have 2 or 3 arms, each having the same optical diameter.



¹⁾ Length: 2 m

Multi-branch Fiber Bundles



Ordering Information

	Material	N.A.	Accept. Cone [°]	Common Bundle Dia.	Total Length [mm]	Leg Bundle Dia. [mm]	Bend Radius [mm]	11 mm Adapter
Dual Branch Bundles								
LLB333	Glass	0,56	68	4,5	900	3,2	50	LLZ005 for leg end LLZ00X for common end
LLB365	Quartz	0,22	25	3,2	900	2,2	25	
Triple Branch Bundles								
LLB336	Glass	0,56	68	5,5	900	3,2	50	LLZ005 for leg end LLZ00X for common end
LLB337	Quartz	0,22	25	3,8	900	2,2	25	